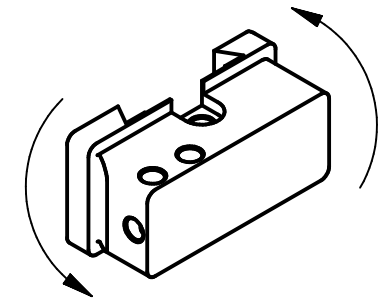
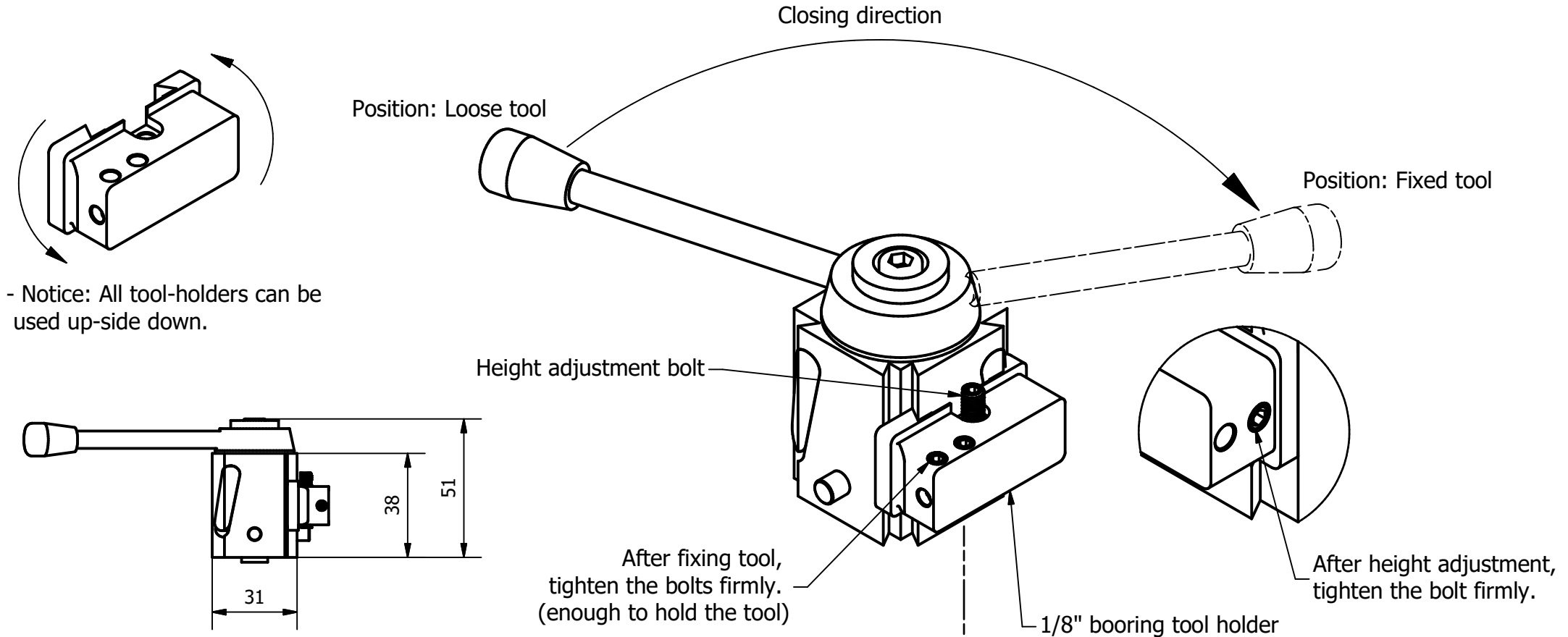
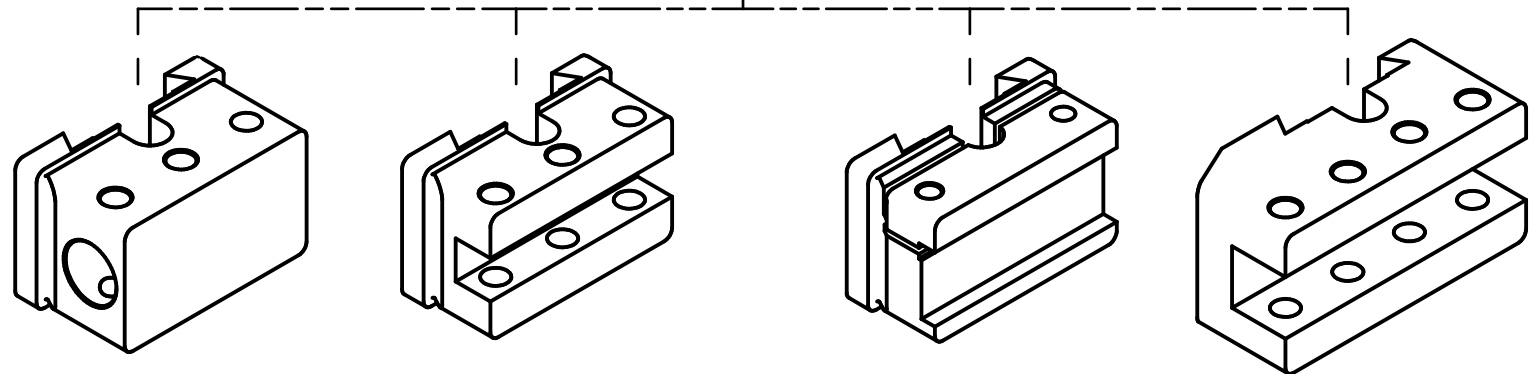
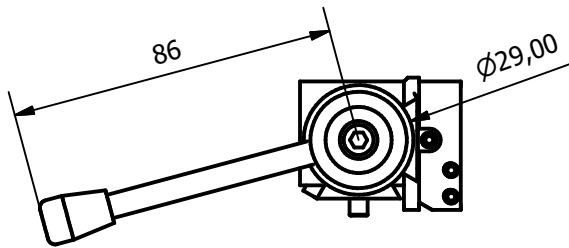
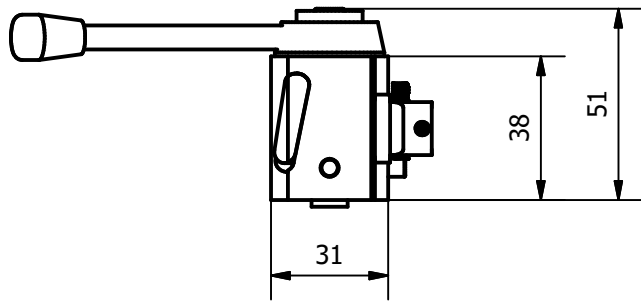


INSTRUCTION

Tryally Tech Tools



- Notice: All tool-holders can be used up-side down.



3/8" booring tool holder

1/4" tool bit holder

Cutoff tool holder

3/8" tool bit holder

More tool holders models available at www.tryally.com

MADE IN BRAZIL

Tryally Tech Tool LTDA
Rua Domiciano Silva 8-29
Bauru - SP - Brazil
CEP 17014-030
Whatsapp +55 14 997 722 010
tryally@tryally.com
Internet www.tryally.com